

Pductal outdoor
outdoor applications duct[al] system

ducts solution for outdoor applications



Requirements

- > resistance to atmospheric agents, to wind and snow
- > resistance to perforation and to accidental shocks

Applications

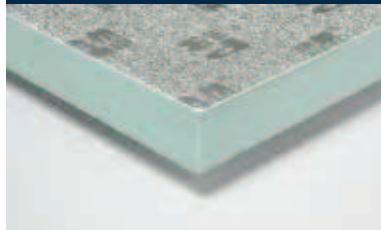
- > shopping malls and offices
- > theatres, cinemas, sports facilities
- > airports and railway terminals



P3ductal outdoor
outdoor applications duct[al] system

P3ductal outdoor: duct solution for external applications

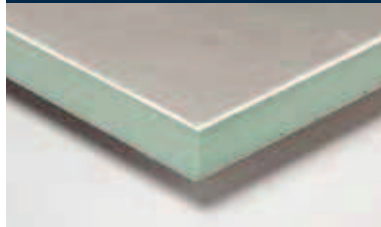
15HS31 - Piral HD Hyrotec outsider Panel



Size of panel	4000x1200 mm
Thickness of panel • Foam density	30,5 mm • 48 kg/m ³
Thickness of external/internal aluminium	200/80 µm
Finish of the aluminium	embossed/embossed

The 30,5 mm thickness of the foam and the 200 µm of the external aluminium impart to this panel special resistance to atmospheric agents and accidental shocks. It should be used in combination with the waterproofing sheath Gum Skin.

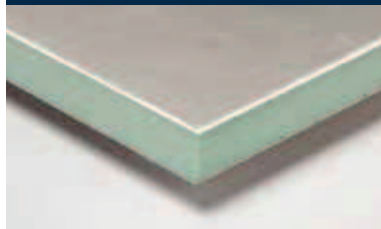
150L31 - Piral HD Hyrotec outsider smooth Panel



Size of panel	4000x1200 mm
Thickness of panel • Foam density	30,5 mm • 48 kg/m ³
Thickness of external/internal aluminium	200/80 µm
Finish of the aluminium	embossed/smooth

The 30,5 mm thickness of the foam and the 200 µm of the external aluminium impart to this panel special resistance to atmospheric agents and accidental shocks and the internal coating in smooth aluminium makes this panel suitable for the construction of ducts to be fitted outdoors at the service of rooms where a high level of hygiene is required. It should be used in combination with the waterproofing sheath Gum Skin.

15HR31 - Piral HD Hyrotec outsider smooth Panel



Size of panel	4000x1200 mm
Thickness of panel • Foam density	30,5 mm • 48 kg/m ³
Thickness of external/internal aluminium	200/200 µm
Finish of the aluminium	embossed/smooth

The 30,5 mm thickness of the foam and the 200 µm of the external aluminium impart to this panel special resistance to atmospheric agents and accidental shocks and the internal coating in smooth aluminium makes this panel suitable for the construction of ducts to be fitted outdoors at the service of rooms where a high level of hygiene is required. It should be used in combination with the waterproofing sheath Gum Skin.

21GS01 - Waterproofing Sheath Gum Skin



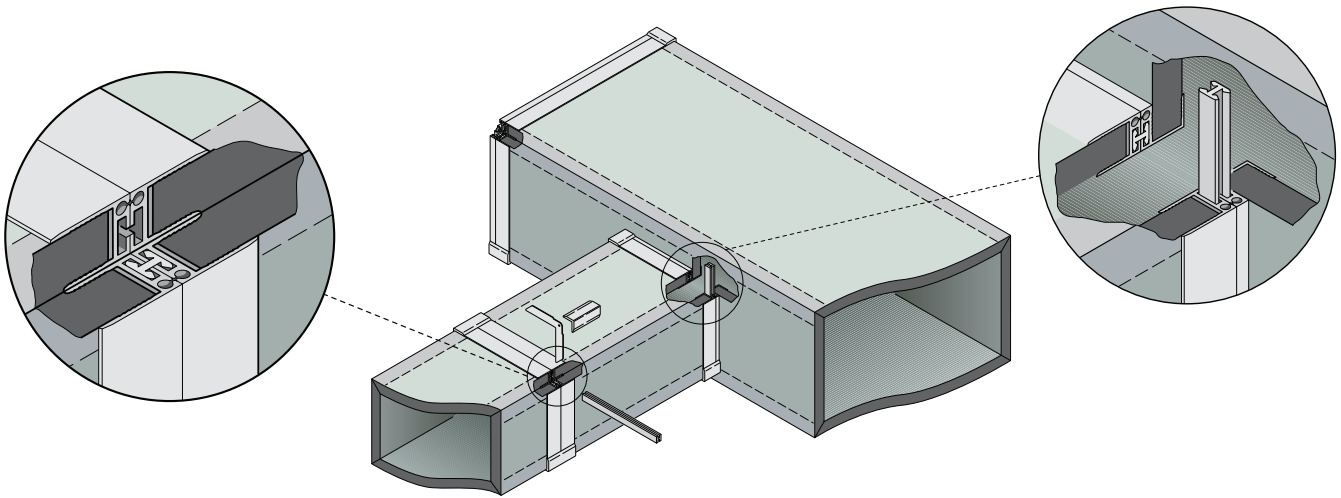
This waterproofing sheath is resistant to UV rays and to freezing and thawing cycles. The inner-action additives, fungicides, bactericides and plasticising agents cause the product to remain completely unaltered over time, even in conditions of average industrial pollution. Standard colour: grey; other colours available upon request. Packaging: 15-litre drum.

21GZ01 - Outdoor gauze



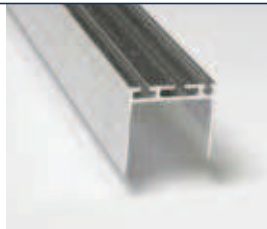
Reinforcement gauze to be applied in correspondence of the joining flanges for outdoor installations, together with Gum Skin waterproofing treatment

I. invisible flange joint and tee connector



code 21FN06 - Invisible flange joint - aluminium 30 mm

This special patented aluminium flange permits 30 mm th. ducts to be joined with extremely low leakage. The bars are supplied in 4 meter lengths.



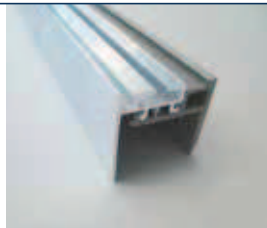
code 21FN08 - Covering angle 30 mm.

Grey polymer covering angle.



code 21FN43 - Thermal break invisible flange - 30 mm

This special Flange, 30 mm thick, composed by an internal thermal break pvc component and external aluminium component permits 30 mm th. ducts to be joined with extremely low leakage.



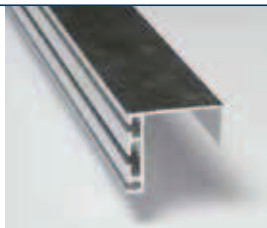
code 21FN04 - H polymer bayonet

Built in shock-resistant polymer, this piece permits "invisible flanges" to be connected. Supplied in 2 meter rods.



code 21FN07 - Tee connector flange joint 30 mm

This patented flange permits the flanging of one duct into the side of another take-offs as tap-in or plenum chamber. The bars are supplied in 4 meter length.



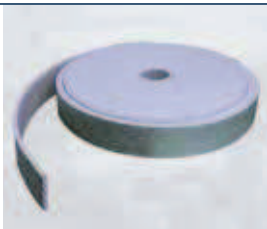
code 21SQ02 - Zinc-coated steel angle bracket 30 mm

1.5 mm thick zinc-coated steel angle bracket.



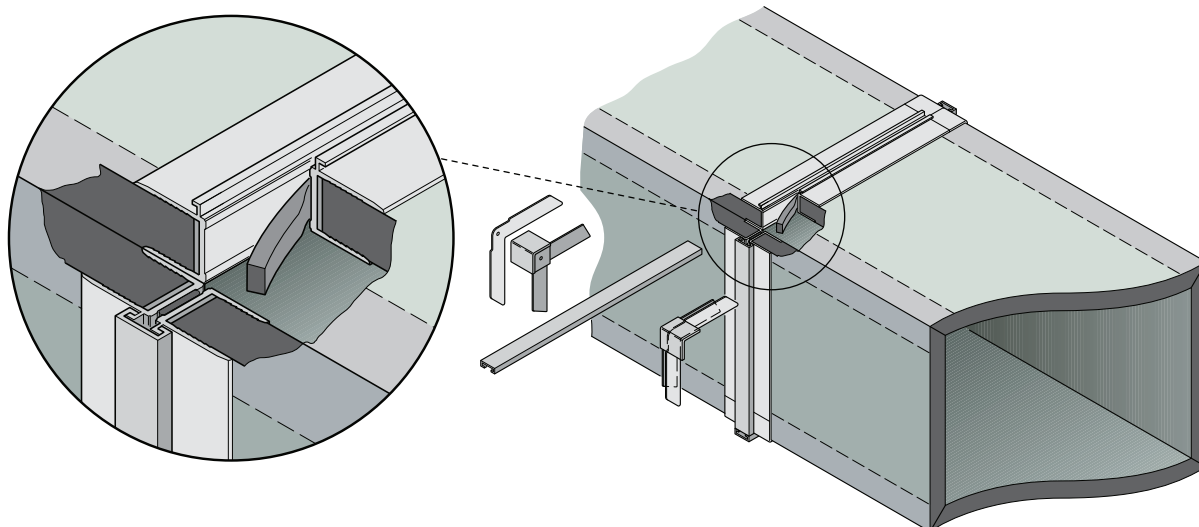
code 21FS03 - Thermal Insulating Tape for Joints

Anti-condensation strip for joints in closed-cell cross-linked polyethylene foam coupled on one side with embossed aluminium, width: 100 mm, length: 30 m, 12 mm thick.



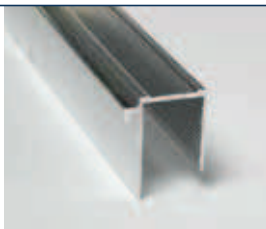


3. traditional flange



code 21FT06 - Traditional flange joint - aluminium 30 mm

Aluminium flange for the traditional joining of two ducts.



code 21FT03 - Aluminium traditional bayonet

This bayonet is used to connect traditional flanges. To use with appropriate self-adhesive gasket (21GR01).



code 21SQ02 - Zinc-coated steel angle bracket 30 mm

1.5 mm thick zinc-coated steel angle bracket.



code 21FT07 - Angle bracket in pvc for 30 mm thick traditional flange

Indicated to reinforce the duct corner and improve external appearance.

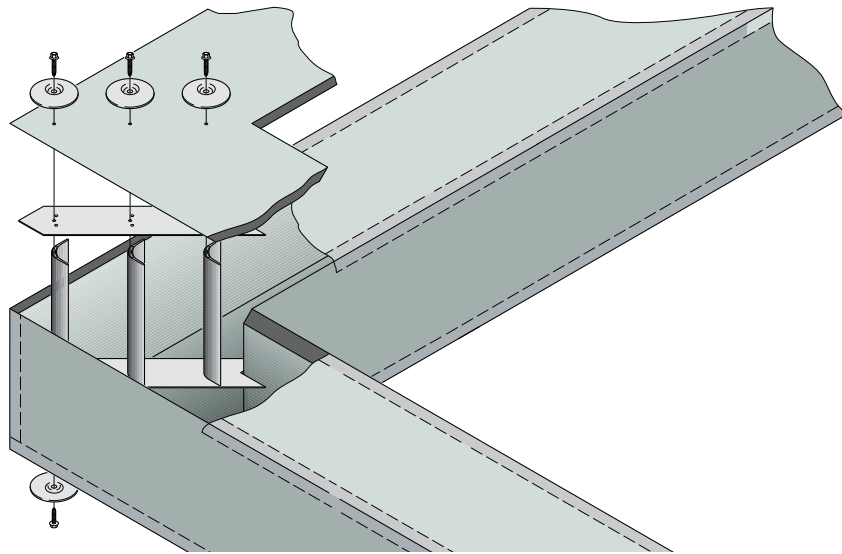


code 21GR01 - Self adhesive duct gaskets

Light grey, self-adhesive polyurethane foam gasket. Indicated for the reduction of air leakage. Width: 15 mm; thickness: 10 mm.



4. turning vanes



code 21CP03 - Turning vanes in aluminium

Turning vane in UNI 6060 aluminium to insert in special flat guide.



code 21CP04 - Flat guide for turning vane fastening

Pre-drilled aluminium strip for the correct positioning of wing-section turning vanes. Supplied in 2 meter rods.



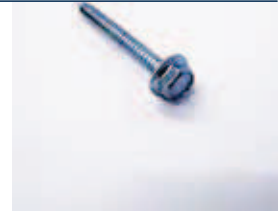
code 21RF01 - Aluminium shaped disk

Aluminium disk to distribute the pressure created at the centre over a wider surface to prevent damage to the panel, disk diameter 100 mm, hole diameter 10 mm.



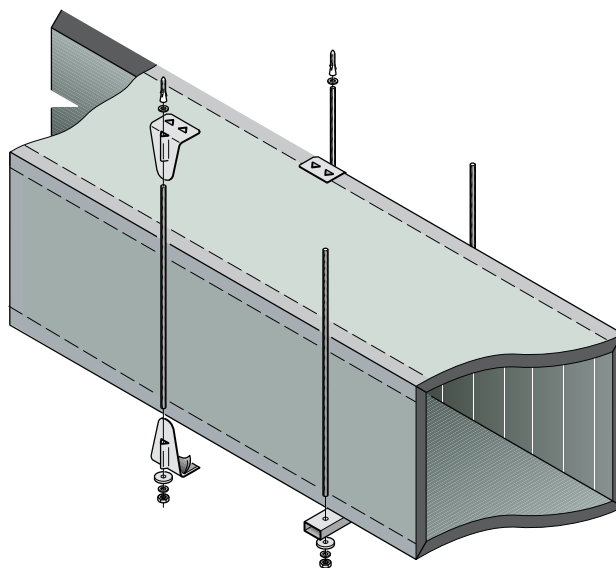
code 21RF03 - Zinc plated self threading screws 6,3 x 60 mm

Hexagon head self-threading screws with washer. Used to fasten reinforcement section bars, wing profile turning vanes and splitters in elbows, etc.





5. duct support



code 21PR05 - Duct support section bar - aluminium 20 mm

Rectangular aluminium tube built in natural aluminium and supplied in 4 meter rods.



code 21AS08 - "C" support profile in aluminium

The "C" support profile in aluminium is supplied in 4 m bars.



code 21SS01 - Self-adhesive bracket

This 1.5 mm zinc-coated bracket is used for rapid duct support and hanging. These brackets are equipped with a slot for the insertion of the threaded bar.

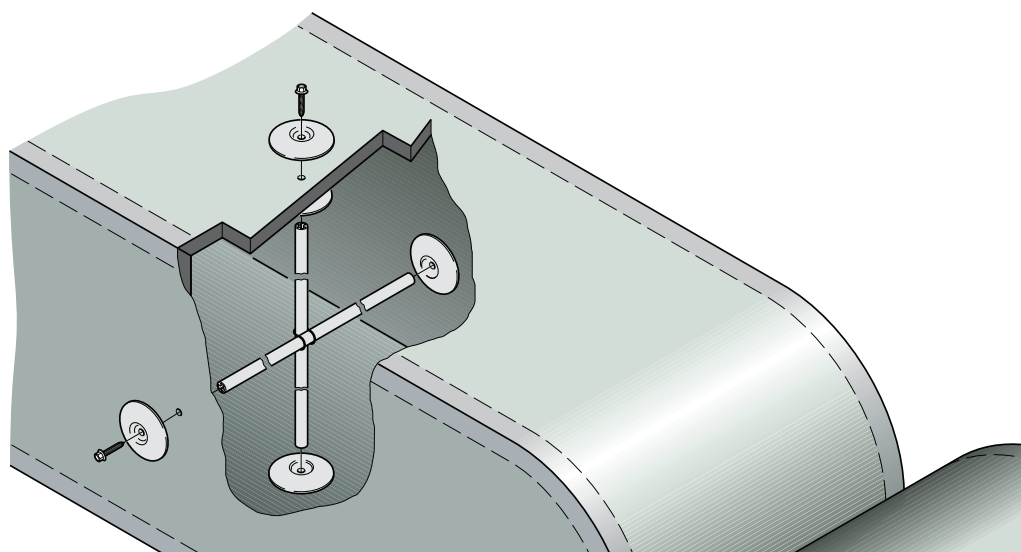


code 21SS05 - Hooked hanger bracket

This 1.5 mm zinc-coated bracket is used for rapid duct support and hanging. These brackets are equipped with a slot for the insertion of the threaded bar.

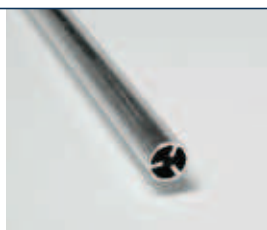


6. reinforcement



code 21RF02 - Reinforcement section bar in aluminium

Special high stiffness aluminium alloy reinforcement section bar.
Bars are supplied in 4 meters rods.



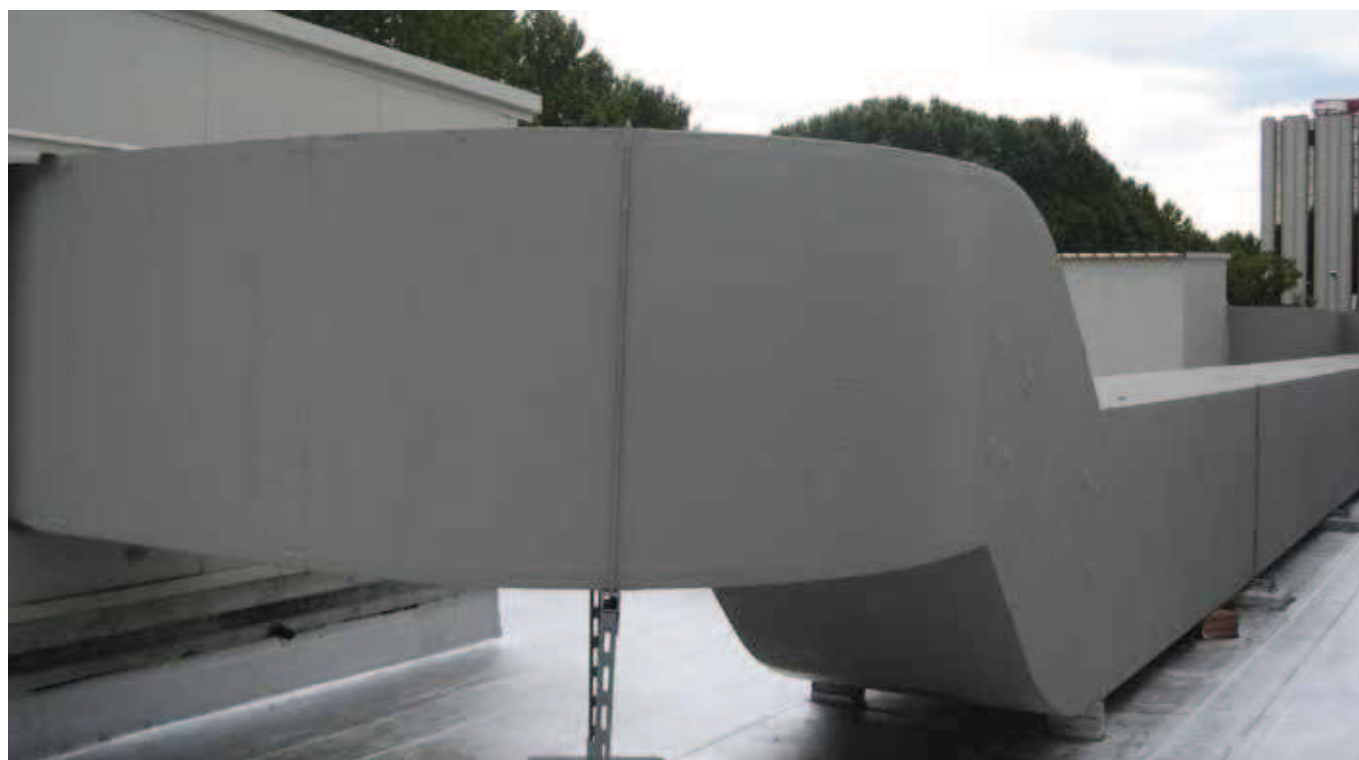
code 21RF01 - Aluminium shaped disk

Aluminium disk to distribute the pressure created at the centre over a wider surface to prevent damage to the panel. Disk diameter 100 mm, hole diameter 10 mm.



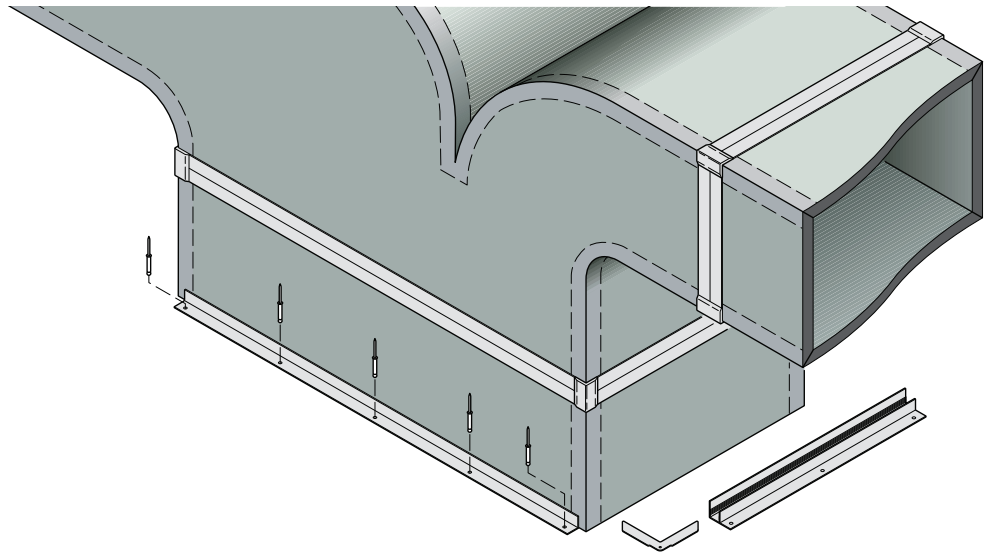
code 21RF03 - Zinc plated self threading screws 6,3 x 60 mm

Hexagon head self-threading screws with washer. Used to fasten reinforcement section bars, wing profile turning vanes and splitters in elbows, etc.



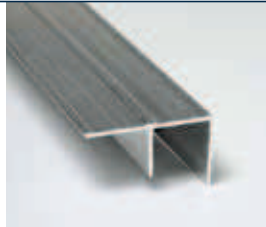


8. AHU connection



code 21PR07 - "F" section bar in aluminium 30 mm

It permits all accessories with fastening frames higher than 20 mm to be fastened to the ducts. Supplied in 4 meter rods.



code 21SQ02 - Zinc-coated steel angle bracket 30 mm

1.5 mm thick zinc-coated steel angle bracket.



code 21RV01 - Special aluminium rivets 3,8 x 30 mm

The 40 mm length permits to create fastening to the panels through the section bars.



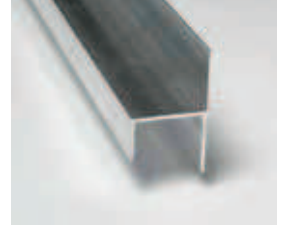
code 21SQ04 - Steel angle bracket for "F" bar" 30 mm

1.5 mm thick zinc-coated steel angle bracket.



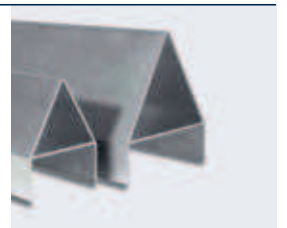
code 21PR15 - Chair section bar in aluminium - 30 mm

Used to fasten ducts to air handling units and in the assembly of linear diffusers. This section bar is supplied in 4 meter rods.

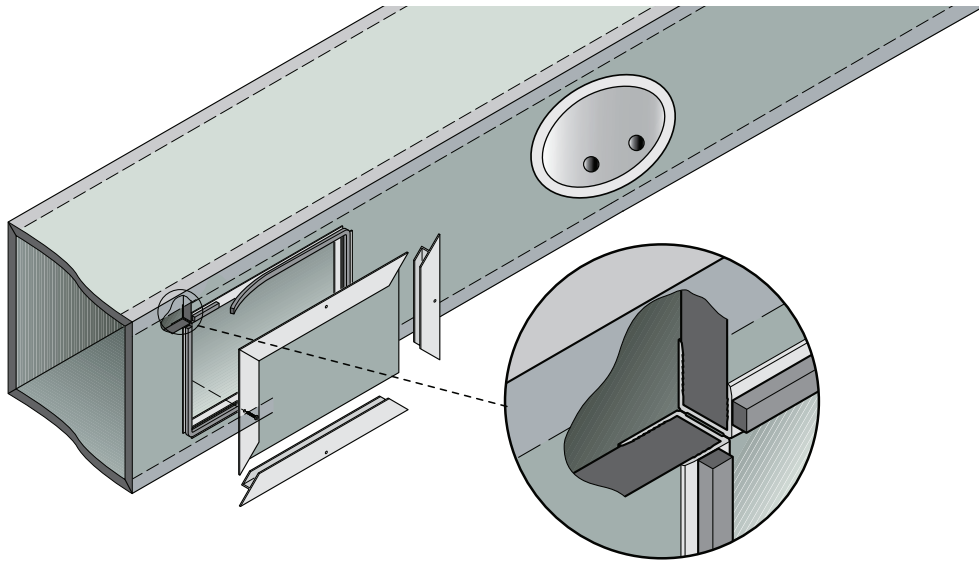


21PR35 - Deflector profile 30 mm

This section bar in natural UNI 6060 is used to apply deflectors to P3ductal ducts. It is supplied in 4 meters rods.

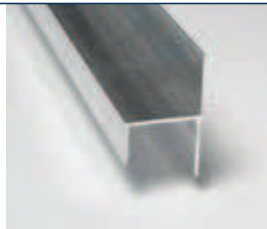


I O. access doors



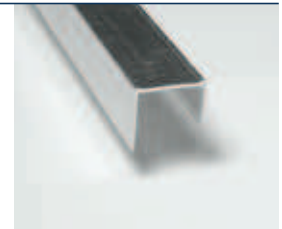
code 21PR15 - Chair section bar in aluminium 30 mm

This section bar is also used to fasten ducts to air handling units. Together with the “U” section bar, this section bar is used to build access doors. This section bar is supplied in 4 meter rods.



code 21PR14 - “U” section bar in aluminium 30 mm

Extremely versatile aluminium section for fastening of anti-vibration joints, volume dampers, and connection to sheet metal ducts. This section bar is supplied in 4 meter rods.



code 21GR01 - Self adhesive duct gaskets

Light grey, self-adhesive polyurethane foam gasket. Indicated for the reduction of air leakage. Width: 15 mm; thickness: 10 mm.





Requirements

- > resistance to atmospheric agents, to wind and snow
- > resistance to perforation and to accidental shocks

Applications

- > shopping malls and offices
- > theatres, cinemas, sports facilities
- > airports and railway terminals

P3ductal outdoorspecial
 outdoor applications duct[al] system

P3ductal outdoor special: high resistance duct solution for external applications

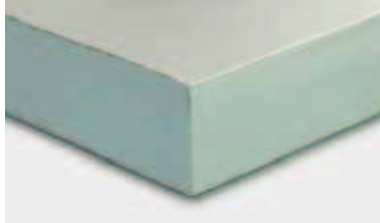
19HV30S - Piral HD Hydrotec outsider Panel - 30,5 mm thickness - 500 µm aluminium



Size of panel	4000x1220 mm
Thickness of panel • Foam density	30,5 mm • 48 kg/m ³
Thickness of external/internal aluminium	500/80 µm
Finish of the aluminium	embossed/smooth

The 30,5 mm thickness of the foam and the 500 µm of the external aluminium impart to this panel special resistance to atmospheric agents and accidental shocks.

19HV50S - Piral HD Hydrotec outsider Panel - 50 mm thickness - 500 µm aluminium



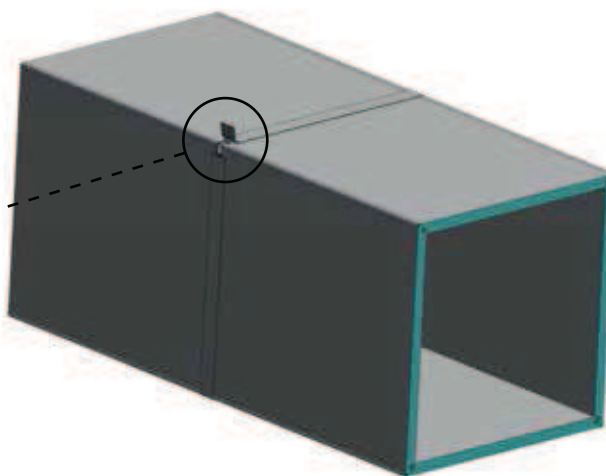
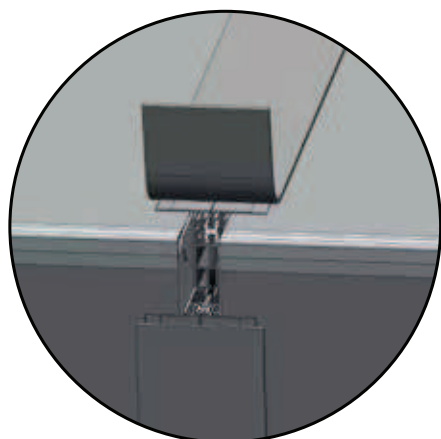
Size of panel	4000x1220 mm
Thickness of panel • Foam density	50 mm • 45 kg/m ³
Thickness of external/internal aluminium	500/80 µm
Finish of the aluminium	embossed/smooth

The 50 mm thickness of the foam and the 500 µm of the external aluminium impart to duct, even if large, special resistance to atmospheric agents and accidental shocks.





Joint system



code 21FN43 - Thermal break invisible flange 30 mm

This special Flange, 30 mm thick, composed by an internal thermal break pvc component and external aluminium component permits 30 mm th. ducts to be joined with extremely low leakage.



code 21FN44 - Thermal break invisible flange 50 mm

This special Flange, 50 mm thick, composed by an internal thermal break pvc component and external aluminium component permits 50 mm th. ducts to be joined with extremely low leakage.



code 21SQ02 - Zinc-coated steel angle bracket 30 mm

1,5 mm thick zinc-coated steel angle bracket.



code 21SQ06 - Zinc-coated steel angle bracket 50 mm

1,5 mm thick zinc-coated steel angle bracket.



code 21FN04 - H polymer bayonet

Built in shock-resistant polymer, this piece permits "invisible flanges" to be connected. Supplied in 2 meter rods.



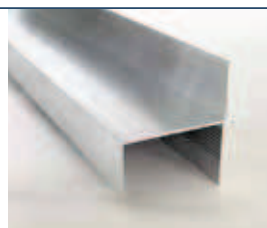
code 21NS11 Butyl Sealing Tape

Reduces the risk of infiltration even in extreme weather conditions



code 21PR52 Chair section bar in aluminium - 50 mm

Used to fasten ducts to air handling units and in the assembly of linear diffusers. This section bar is supplied in 4 meter rods.



code 21PR51 "U" section bar in aluminium 50 mm

It permits all accessories with fastening frames higher than 50 mm to be fastened to the ducts. Supplied in 4 meter rods.



code 21PR53 "F" section bar in aluminium 50 mm

It permits all accessories with fastening frames higher than 50 mm to be fastened to the ducts. Supplied in 4 meter rods.



